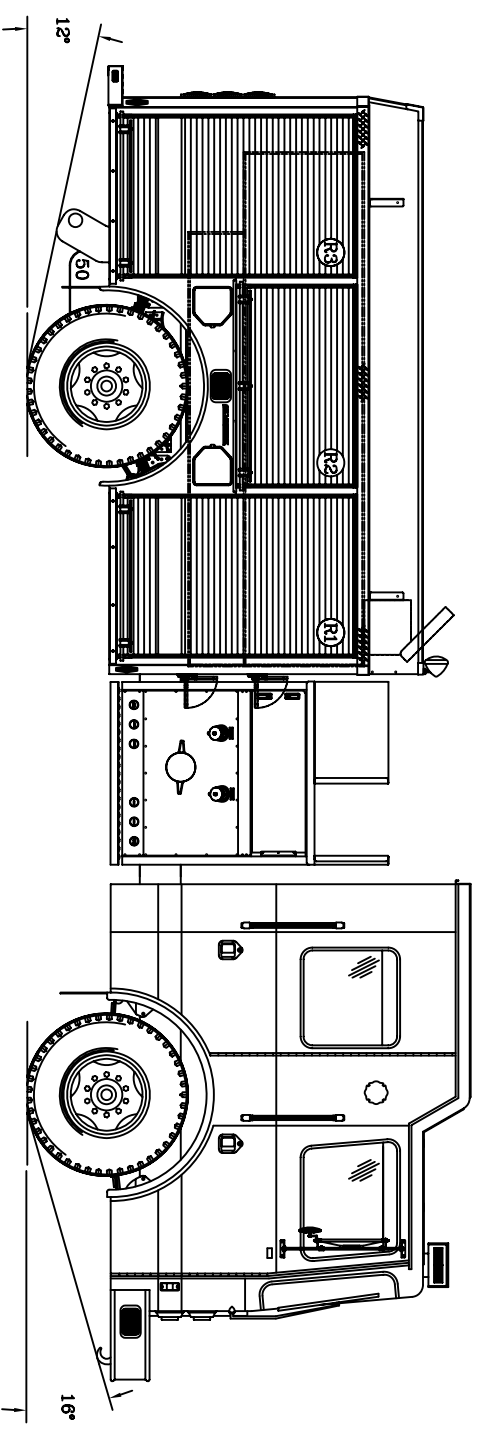
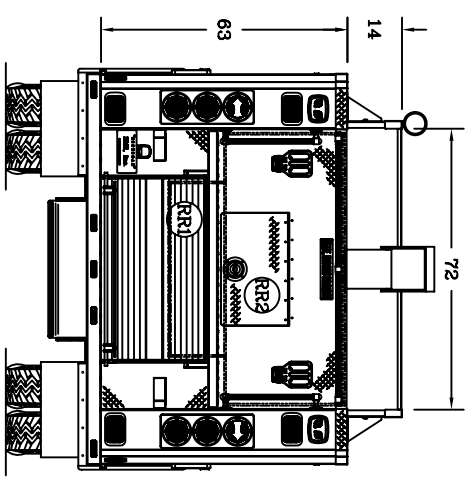
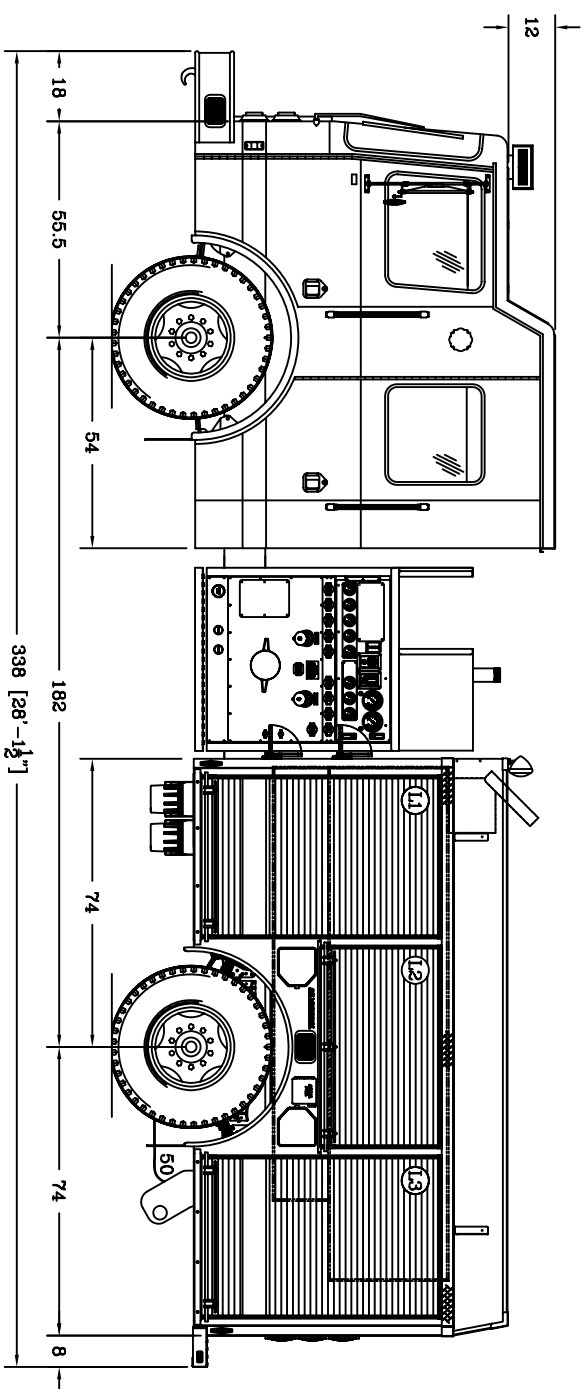
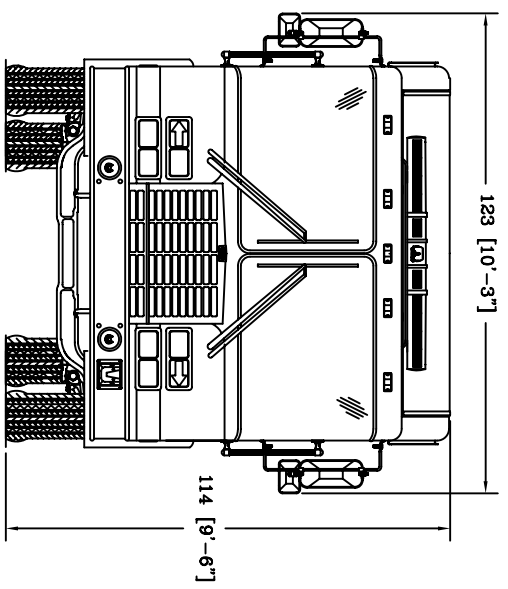
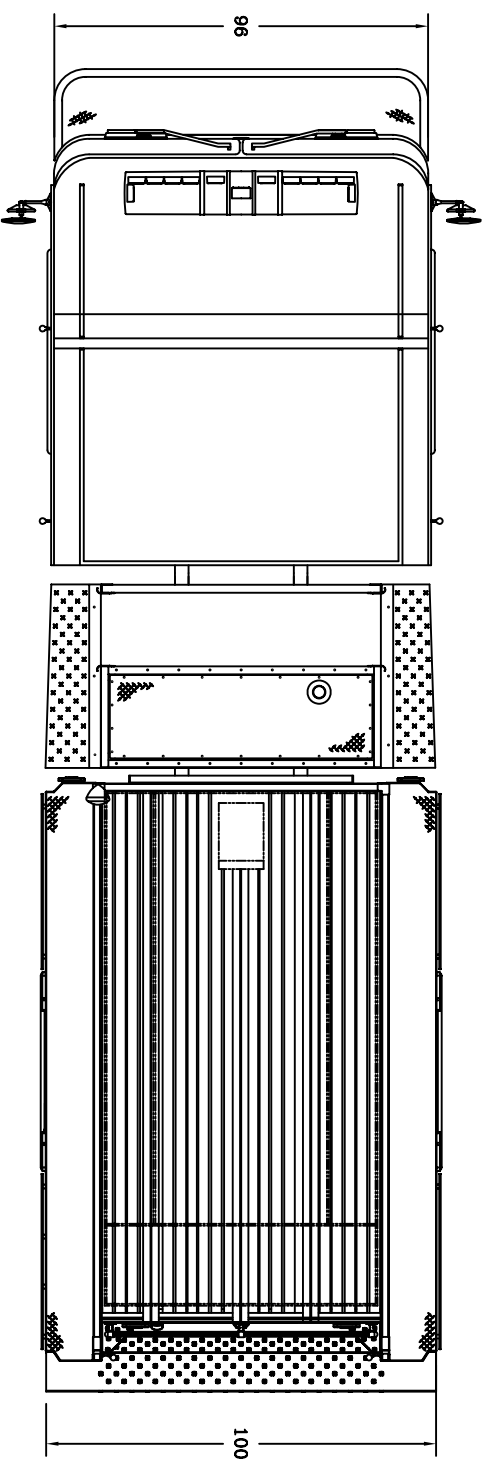


THIS DRAWING IS REPRESENTATIVE OF THE APPARATUS PROPOSED.
IF THERE IS A DISCREPANCY BETWEEN THIS PRINT AND THE WRITTEN PROPOSAL,
THE SPECIFICATIONS WITHIN THE PROPOSAL PREVAIL.



LET	BY	DATE	REVISION
A	KCL	5/8/07	ORIGINAL RELEASE
LET	BY	DATE	REVISION

HME
INCORPORATED
1950 BYRON CENTER AVE.
WYOMING, WY. 83409

THIS PRINT IS PROVIDED ON A RESTRICTED BASIS AND IS NOT TO BE USED IN ANY WAY DETRIMENTAL TO THE INTERESTS OF HME, INC.
NAME _____

DRAWN	DATE	APPROVED	DRAWING FILE	SCALE
KCL	05/08/07	N/A		N/A
DATE	05/08/07	APPROVED	DRAWING FILE	SCALE
SIZE	NUMBER			N/A
B				1 OF 1

CREATED WITH AutoCAD®