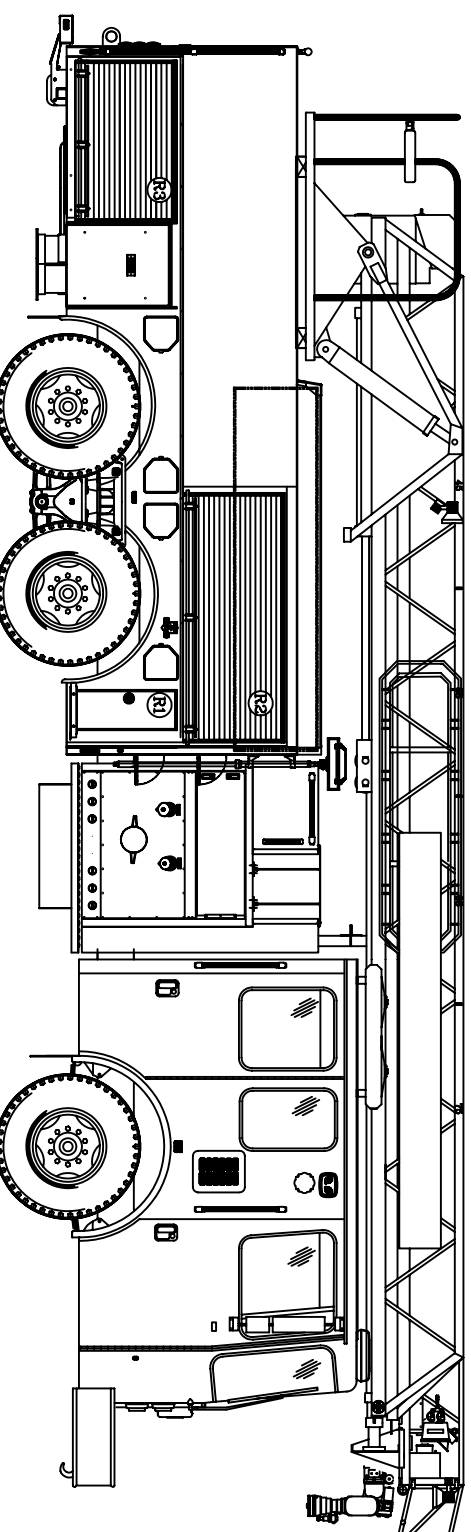
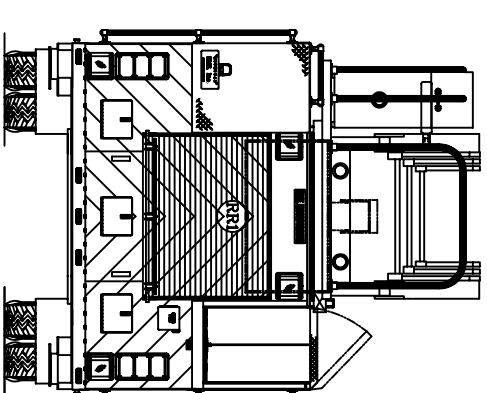
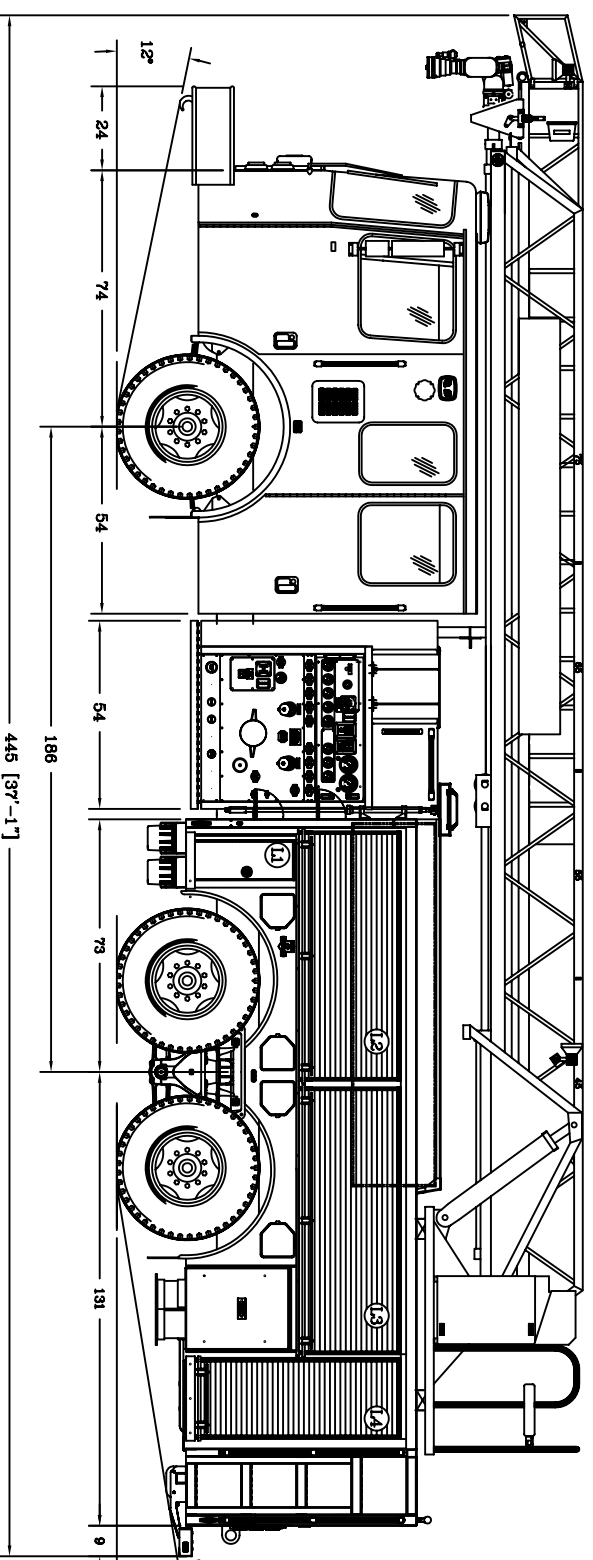
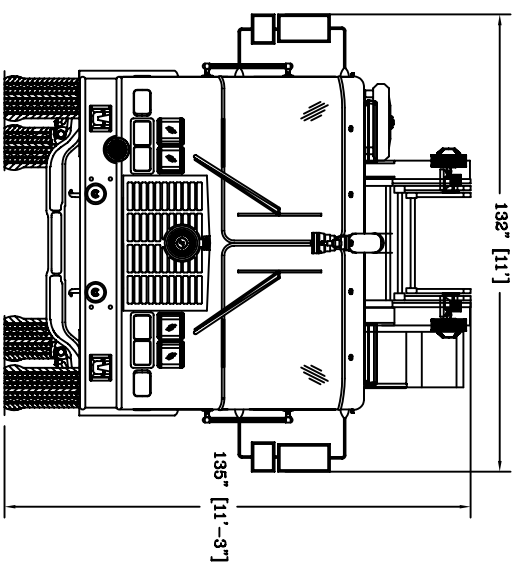
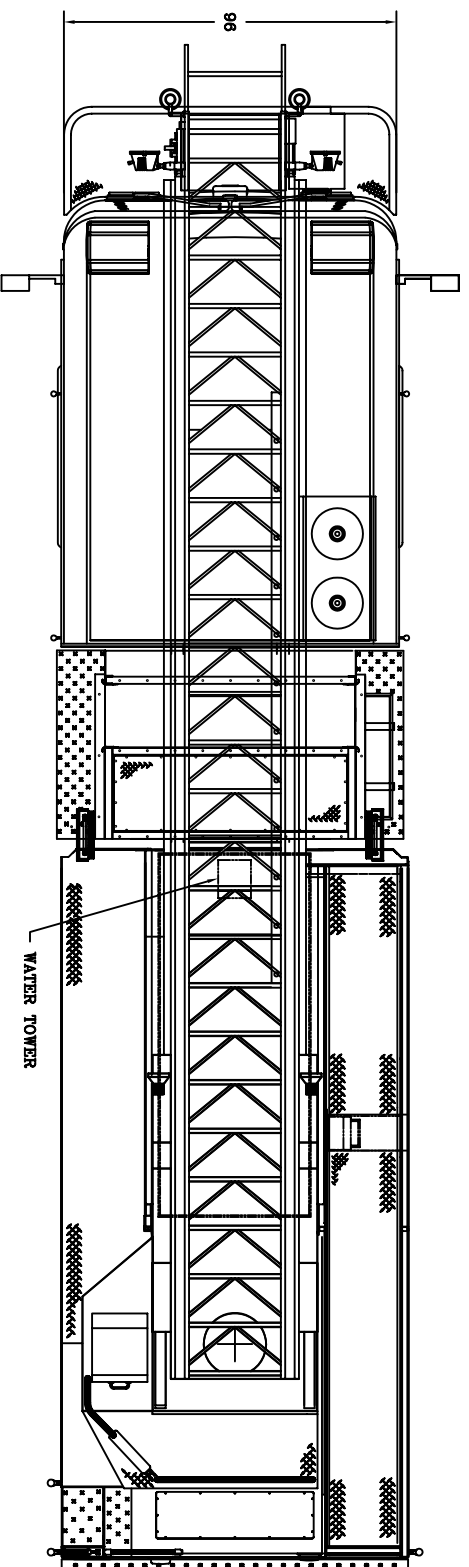


THIS DRAWING IS AN OVERALL REPRESENTATION OF THE APPARATUS AS PROPOSED.
 THE EXACT LOCATIONS OF ACCESSORIES OR COMPONENTS MAY BE REVISED PENDING COMPLETE ENGINEERING REVIEW OF THE OPTION CONTENT OF THE ORDER.
 IF THERE IS A DISCREPANCY BETWEEN THE BODYBUILDER PRINT AND THE WRITTEN PROPOSAL, THE SPECIFICATIONS WITHIN THE PROPOSAL PREVAIL.



| | | | |
|-----|------|------------|---------------------------|
| C | G.G. | 11 NOV '09 | REVIEWED TRACKING SPEC #4 |
| B | G.G. | 22 MAY '09 | CLEAN ORDER RELEASE |
| A | G.G. | 11 MAR '09 | ORIGINAL RELEASE |
| LET | BY | DATE | REVISION |



1950 BYRON CENTER AVE.
 WYOMING, MI. 49509

THIS PRINT IS PROVIDED ON A RESTRICTED BASIS AND IS NOT TO BE USED IN ANY WAY DETRIMENTAL TO THE INTERESTS OF HME, INC.

NAME
 21619 - HME 75' TDM AERIAL

| | | | |
|------------------------|------------|----------|--------------------------------|
| DRAWN | DATE | APPROVED | DRAWING FILE |
| G.SUNDERSON | 10 MAR '09 | N/A | 21619 - HME 75' TDM AERIAL.DWG |
| THIS AERIAL PRODUCTION | SIZE | NUMBER | SCALE |
| | B | 21619 | N/A |
| | | | SHEET |
| | | | 1 OF 1 |

CREATED WITH AUTOCAD®