

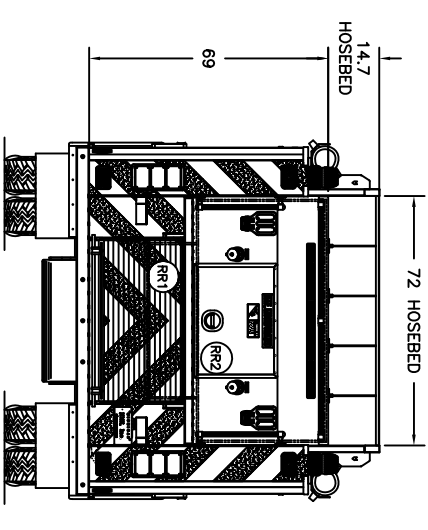
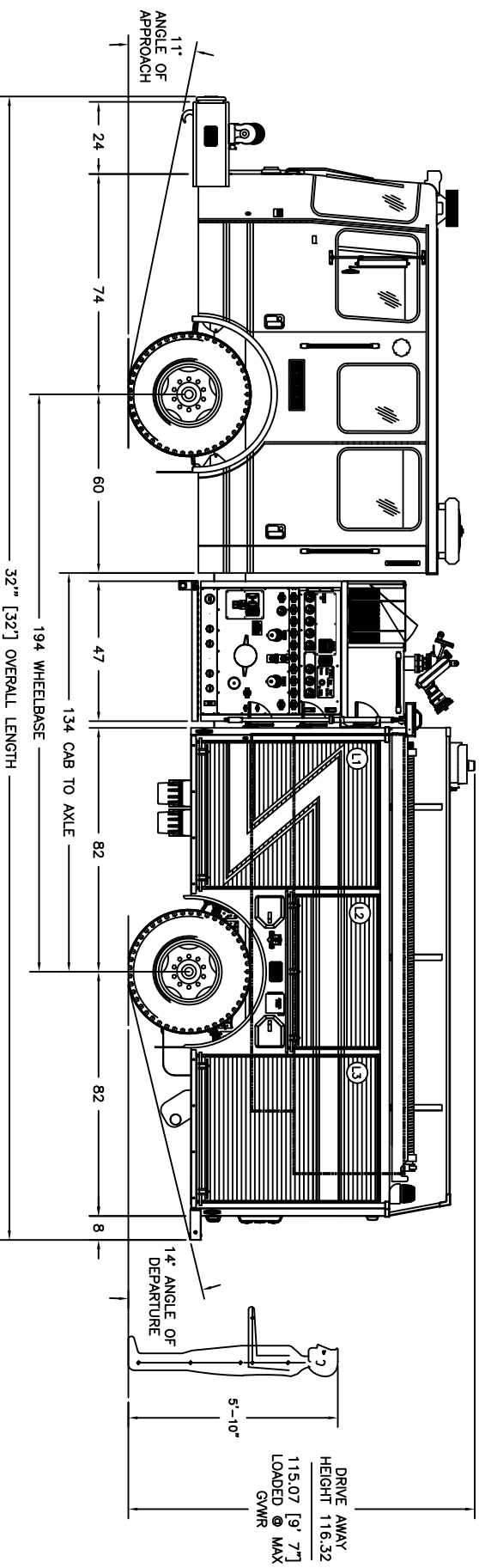
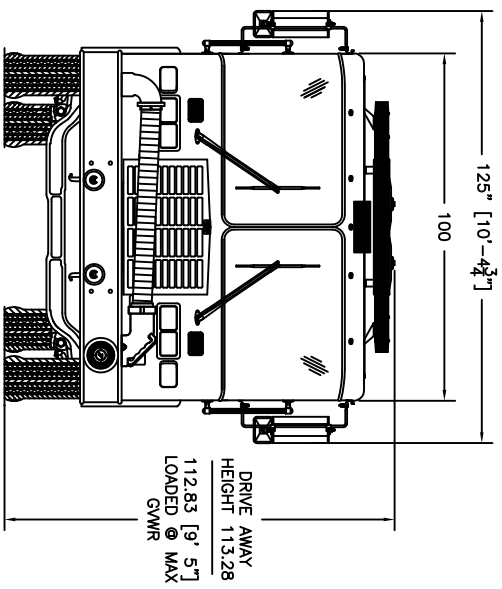
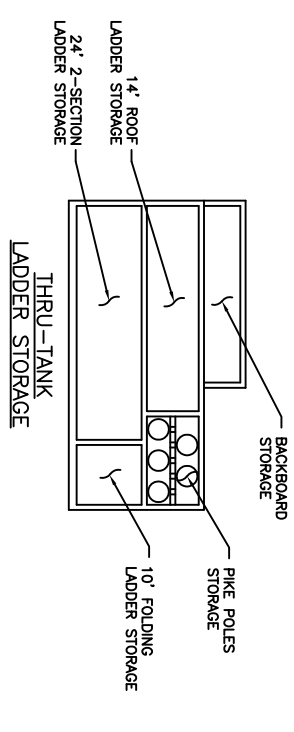
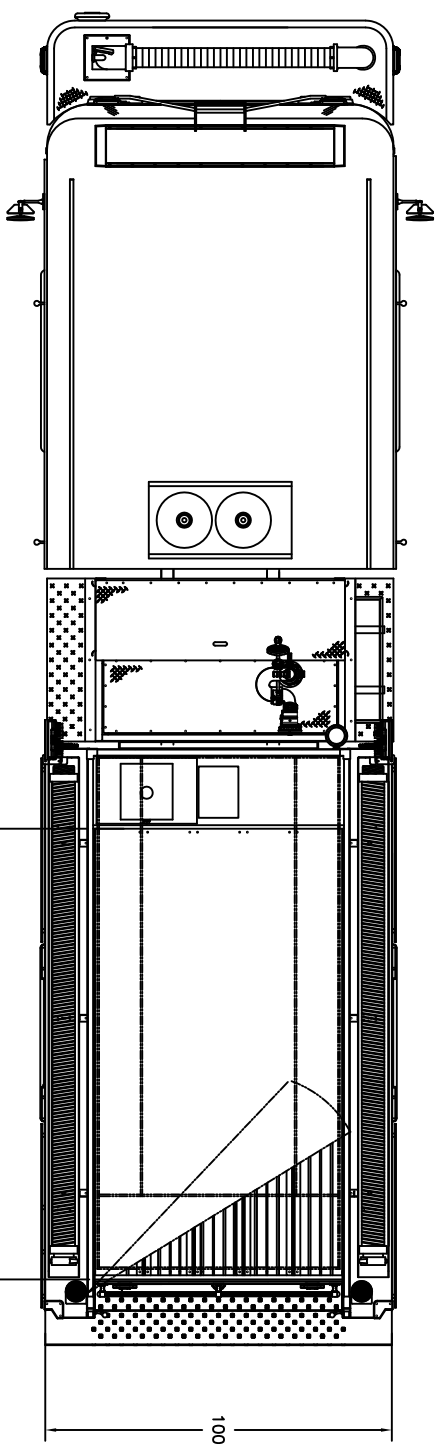
THIS DRAWING IS AN OVERALL REPRESENTATION OF THE APPARATUS AS PROPOSED.

THE EXACT LOCATIONS OF ACCESSORIES OR COMPONENTS MAY BE REVISED PENDING COMPLETE ENGINEERING REVIEW OF THE OPTION CONTENT OF THE ORDER.

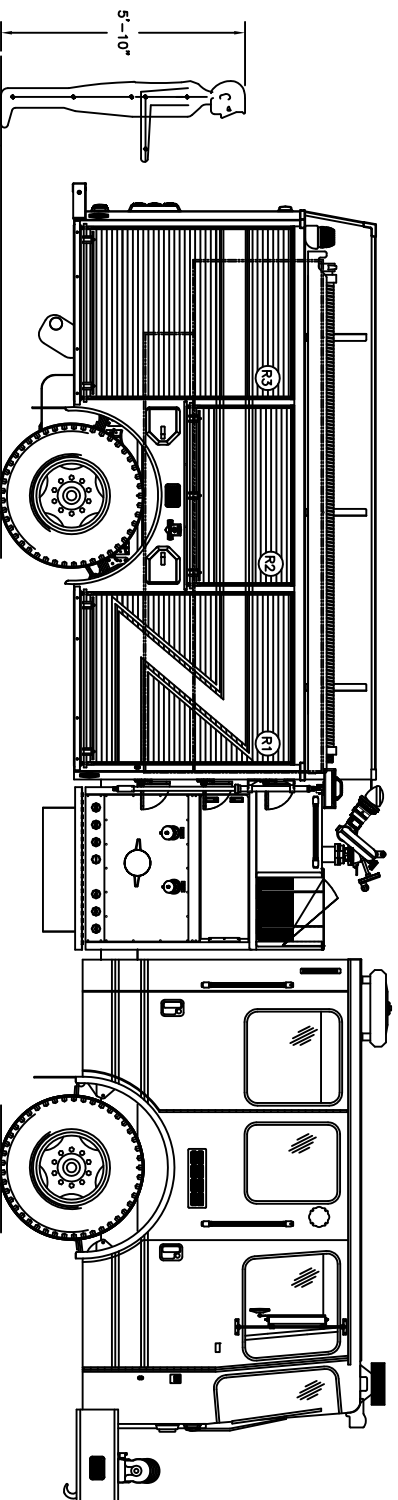
IF THERE IS A DISCREPANCY BETWEEN THE BODYBUILDER PRINT AND THE WRITTEN PROPOSAL, THE SPECIFICATIONS WITHIN THE PROPOSAL PREVAIL.

This drawing along with any changes made and initialed by both the "Fire Department" & HME, Inc. represents what will be constructed and supplied to the "Fire Department." Any changes to the contract specifications and drawing after today's date will be addressed via appropriate change order signed and approved by both the "Fire Department" & HME, Inc.

APPROVED BY: _____ TITLE: _____
 FIRE DEPARTMENT
 APPROVED BY: _____ TITLE: _____
 HME, Incorporated



COMPARTMENTATION							
COMP.	WIDTH	HEIGHT	DEPTH	DOOR WIDTH	CLEAR DOOR OPENING	DOOR HEIGHT	COMP. VOLUME
L1:LOWER	56"	30"	24"	47"	53 1/2"	23.3 FT ³	12.8 FT ³
L1:UPPER	56"	33"	12"	47"	53 1/2"	11.9 FT ³	21.3 FT ³
L2:	52"	33"	12"	49"	23 1/2"	11.7 FT ³	23.3 FT ³
L3:LOWER	51"	30"	24"	47"	53 1/2"	11.7 FT ³	23.3 FT ³
L3:UPPER	51"	33"	12"	47"	53 1/2"	11.9 FT ³	23.3 FT ³
R1:LOWER	56"	30"	24"	47"	53 1/2"	12.8 FT ³	21.3 FT ³
R1:UPPER	56"	33"	12"	47"	53 1/2"	11.9 FT ³	21.3 FT ³
R2:	52"	33"	12"	49"	23 1/2"	11.9 FT ³	21.3 FT ³
R3:LOWER	51"	30"	24"	47"	53 1/2"	11.7 FT ³	21.3 FT ³
R3:UPPER	51"	33"	12"	47"	53 1/2"	11.7 FT ³	20 1/2 FT ³
RR1:	48"	29"	22"	45 1/2"	20 1/2"	17.7 FT ³	



CREATED WITH AUTOCAD®



1950 BYRON CENTER AVE.
 WYOMING, WY. 83099

THIS PRINT IS PROVIDED ON A RESTRICTED BASIS AND IS NOT TO BE USED IN ANY WAY DETRIMENTAL TO THE INTERESTS OF HME, INC.

NAME: 22338-WEARE, NH FIRE DEPT

DRAWN: ALPINSKI DATE: 8 MAY '12 APPROVED: N/A DRAWING FILE: 22338-WEARE NH FIRE DEPT REV ADWG

SIZE: B NUMBER: 22338 SCALE: 1 OF 1 SHEET