

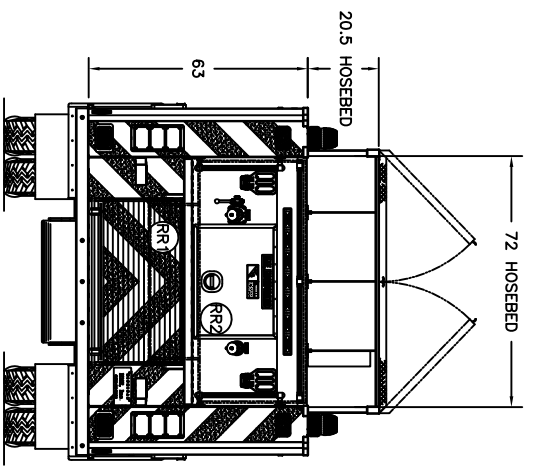
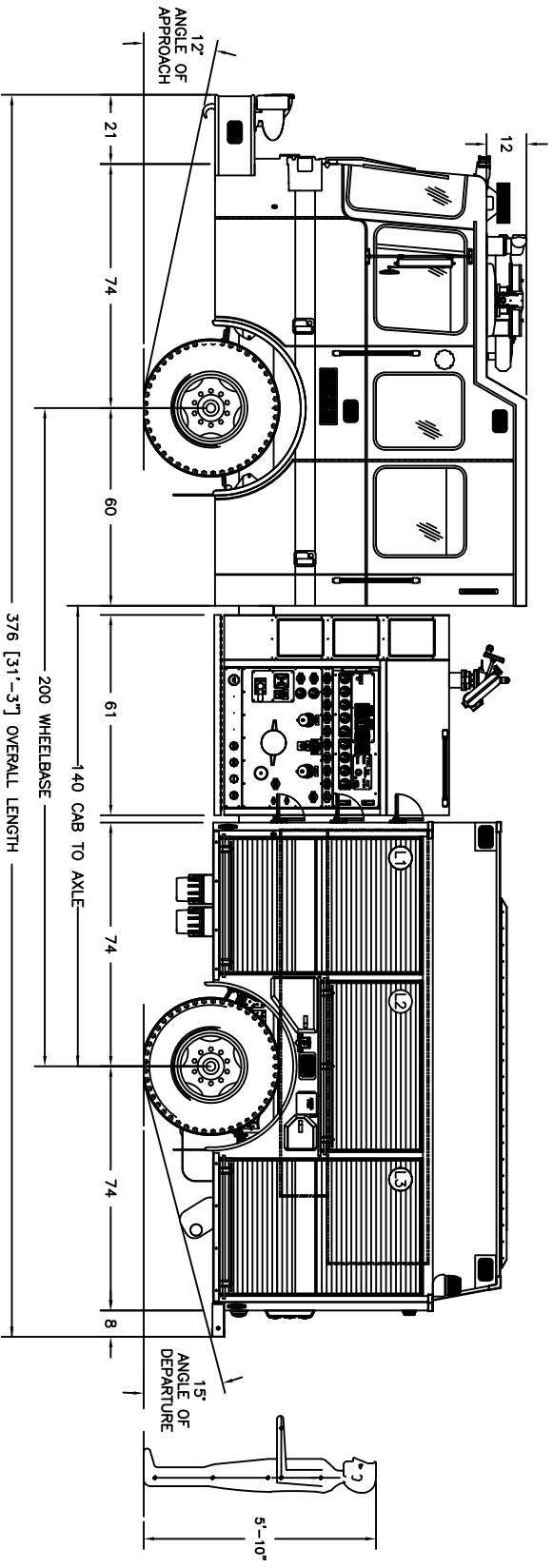
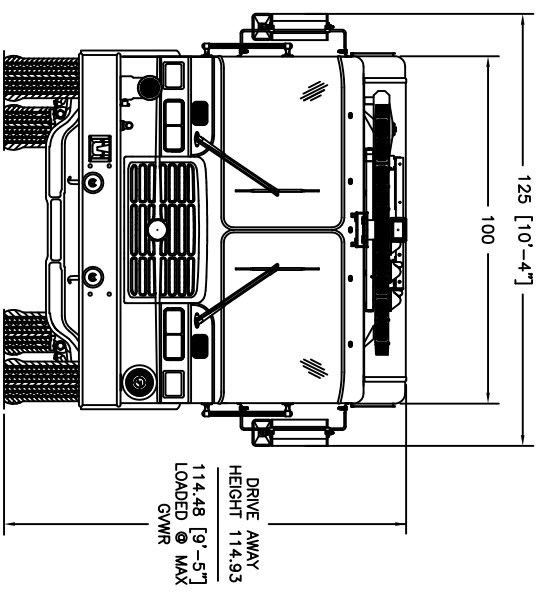
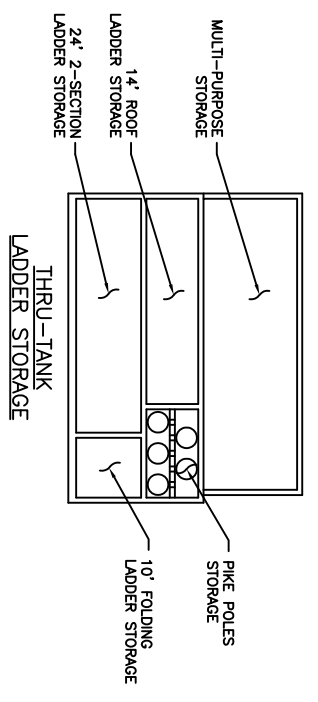
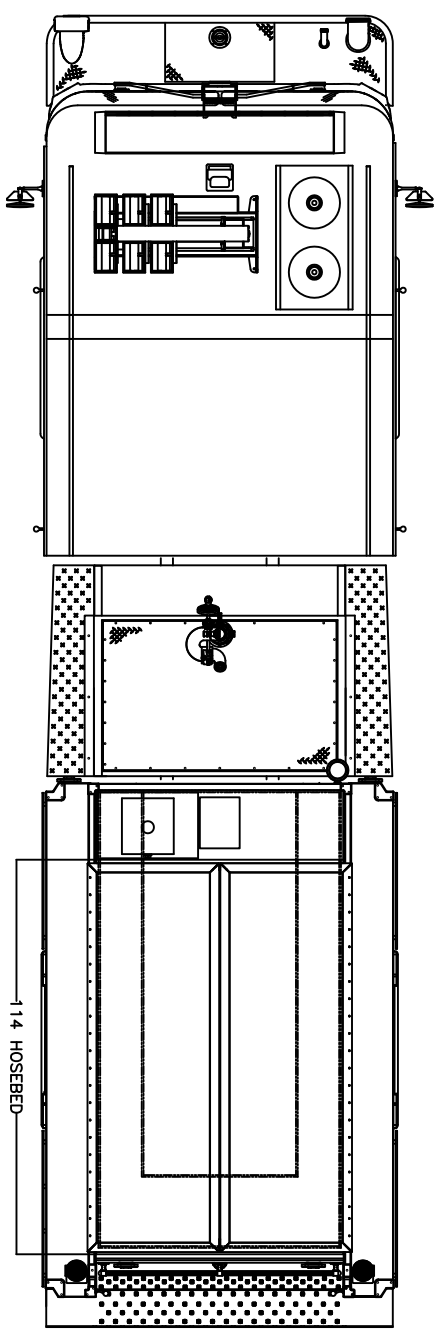
THIS DRAWING IS AN OVERALL REPRESENTATION OF THE APPARATUS AS PROPOSED.

THE EXACT LOCATIONS OF ACCESSORIES OR COMPONENTS MAY BE REVISED PENDING COMPLETE ENGINEERING REVIEW OF THE OPTION CONTENT OF THE ORDER.

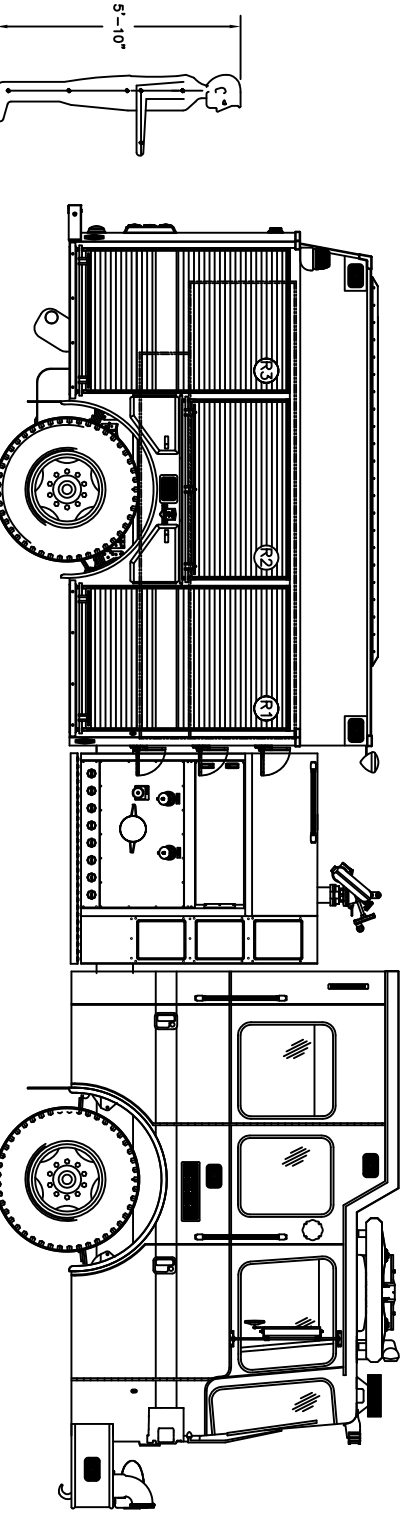
IF THERE IS A DISCREPANCY BETWEEN THE BODYBUILDER PRINT AND THE WRITTEN PROPOSAL, THE SPECIFICATIONS WITHIN THE PROPOSAL PREVAIL.

This drawing along with any changes made and initialed by both the "Fire Department" & HME, Inc. represents what will be constructed and supplied to the "Fire Department." Any changes to the contract specifications and drawing after today's date will be addressed via appropriate change order signed and approved by both the "Fire Department" & HME, Inc.

APPROVED BY: _____ TITLE: _____
 FIRE DEPARTMENT
 APPROVED BY: _____ TITLE: _____
 HME, Incorporated



COMPARTMENTATION							
COMP.	WIDTH	HEIGHT	DEPTH	DOOR WIDTH	DOOR HEIGHT	CLEAR OPENING	COMP. VOLUME
L1 UPPER:	48"	33"	12"	39"	53 1/2"	11 FT³	
L1 LOWER:	48"	30"	24"	39"	53 1/2"	20 FT³	
L2:	52"	33"	12"	49"	23 1/2"	11.9 FT³	
L3 UPPER:	43"	33"	12"	39"	53 1/2"	9.9 FT³	
L3 LOWER:	43"	30"	24"	39"	53 1/2"	17.9 FT³	
R1 UPPER:	48"	33"	12"	39"	53 1/2"	11 FT³	
R1 LOWER:	48"	30"	24"	39"	53 1/2"	20 FT³	
R2:	52"	33"	12"	49"	23 1/2"	11.9 FT³	
R3 UPPER:	43"	33"	12"	39"	53 1/2"	9.9 FT³	
R3 LOWER:	43"	30"	24"	39"	53 1/2"	17.9 FT³	
RR1:	48"	29"	22"	45 1/2"	20 1/2"	17.7 FT³	



CREATED WITH AUTOCAD®



1950 BYRON CENTER AVE.
 WYOMING, WY. 82001

THIS PRINT IS PROVIDED ON A RESTRICTED BASIS AND IS NOT TO BE USED IN ANY WAY DETRIMENTAL TO THE INTERESTS OF HME, INC.

PLASTOW FIRE DEPARTMENT

DATE	APPROVED	DRAWING FILE
15 JUN '12	N/A	22349 PLASTOW FIRE DEPT.dwg
DATE	SCALE	SHEET
15 JUN '12	N/A	1 OF 1

NO.	DATE	DESCRIPTION
A	26 JUN '12	ORIGINAL RELEASE
B		REVISION

NO.	DATE	DESCRIPTION
1	15 JUN '12	22349 PLASTOW FIRE DEPT.dwg
2		