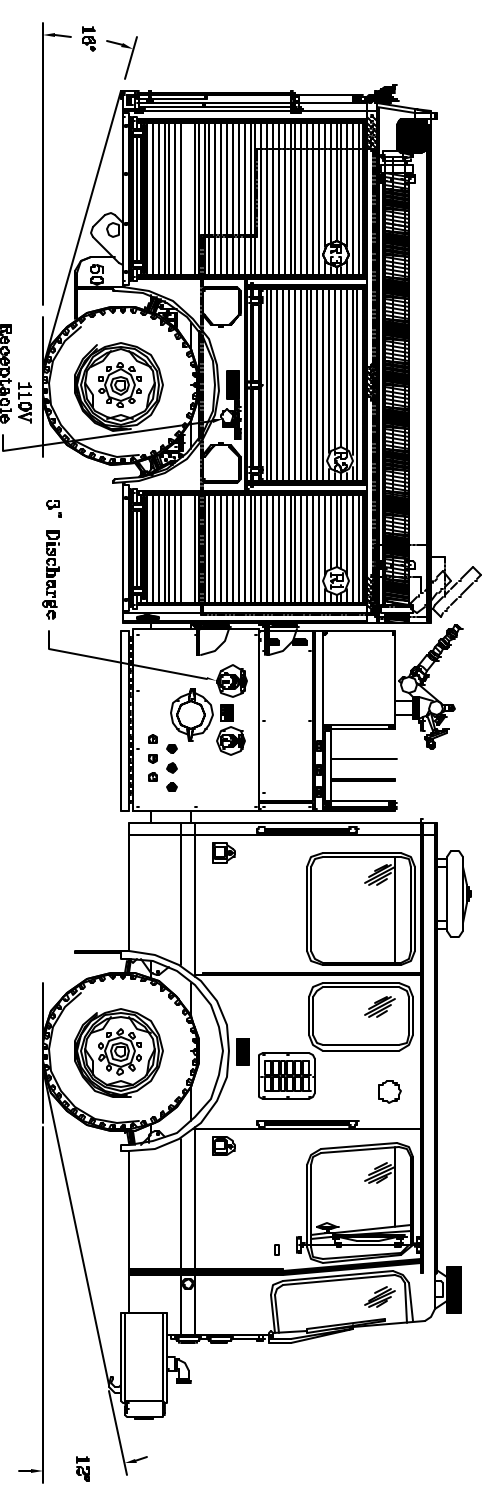
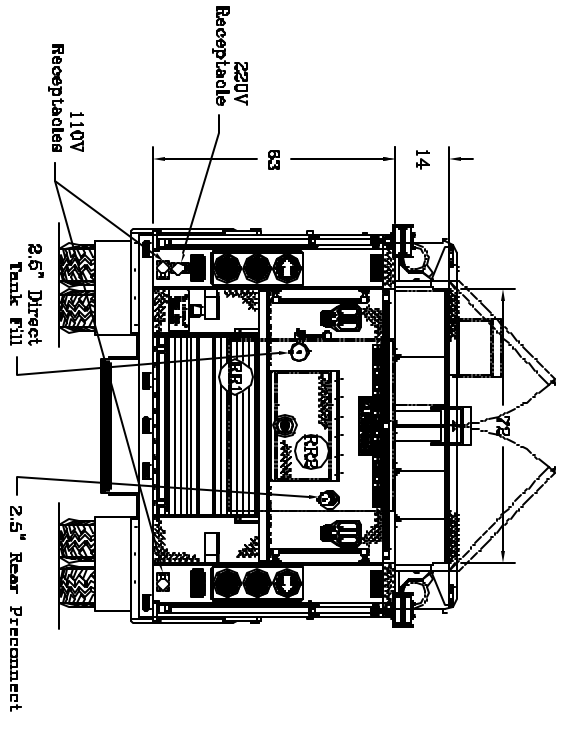
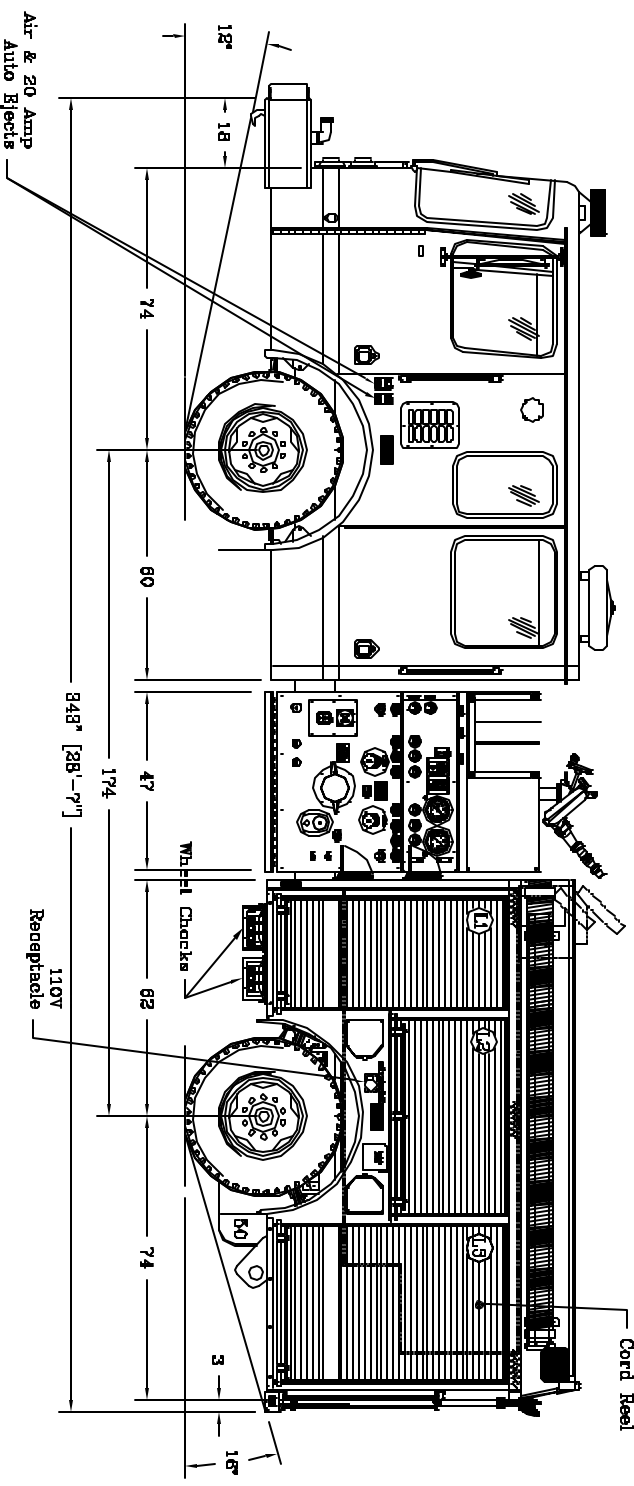
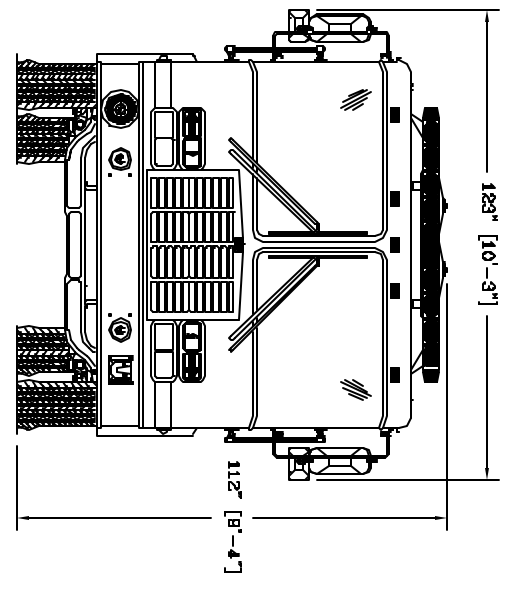
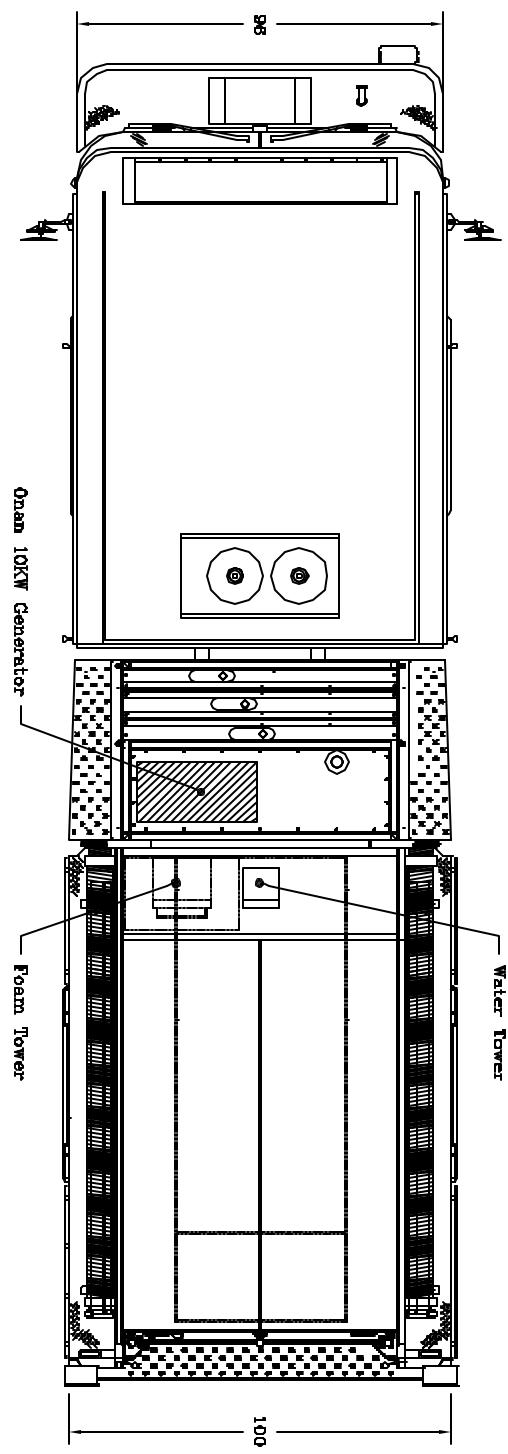


THIS DRAWING IS REPRESENTATIVE OF THE APPARATUS PROPOSED. IF THERE IS A DISCREPANCY BETWEEN THIS PRINT AND THE WRITTEN PROPOSAL, THE SPECIFICATIONS WITHIN THE PROPOSAL PREVAIL.



LET	BY	DATE	REVISION
A	RAM	19 APR '06	ORIGINAL RELEASE



1950 BYRON CENTER AVE.  
WYOMING, WY. 83099

THIS PRINT IS PROVIDED ON A RESTRICTED BASIS AND IS NOT TO BE USED IN ANY WAY DETRIMENTAL TO THE INTERESTS OF HME, INC.

NAME: **Bartlett Fire**

1950 BYRON CENTER AVE.  
WYOMING, WY. 83099

DRAWN BY: **B Bartlett** DATE: 19 APR '06  
 REVISION: N/A APPROVED BY: **B Bartlett** DATE: N/A  
 TITLE: **Bartlett Fire** DRAWING FILE: **Bartlett Fire**

SCALE: 1/8" = 1'

SHEET 1 OF 1

CREATED WITH AUTOCAD