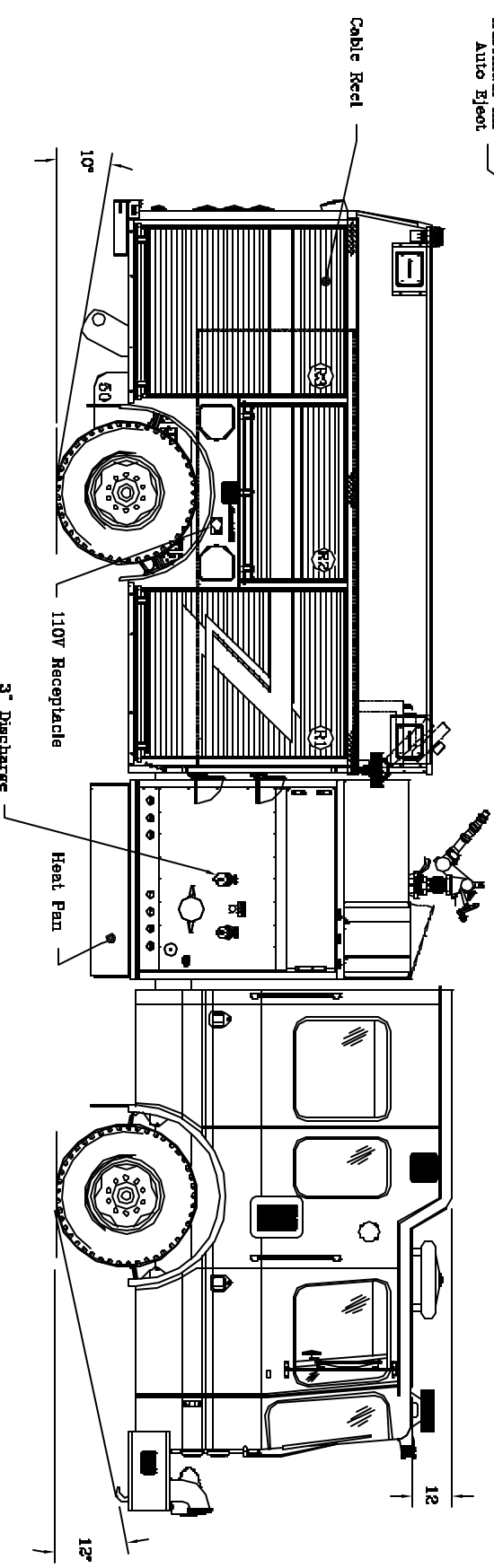
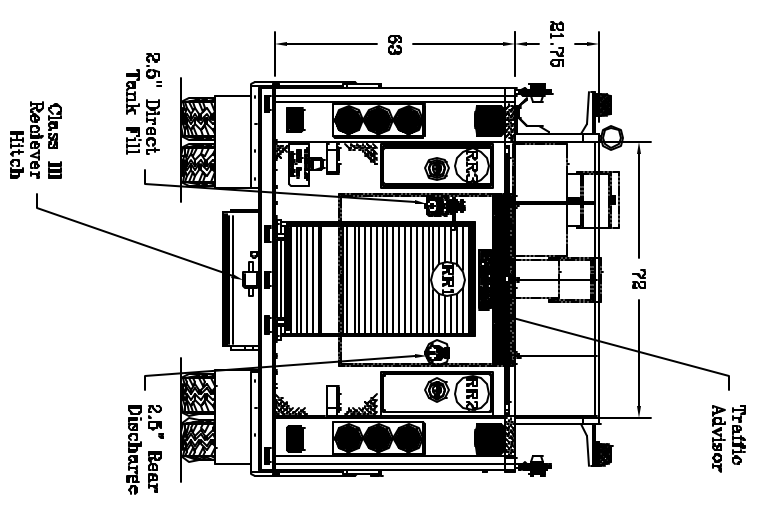
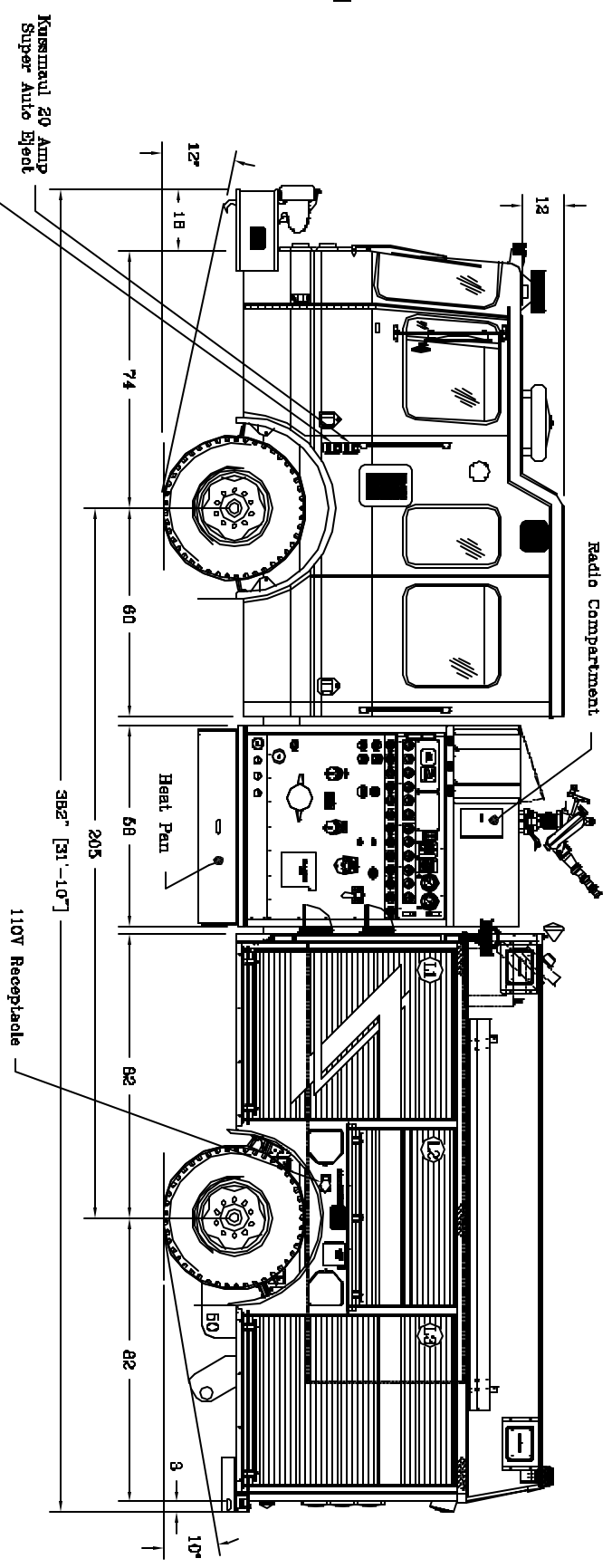
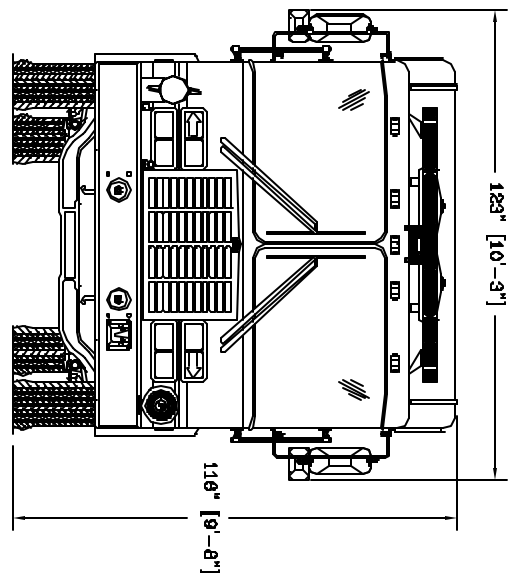
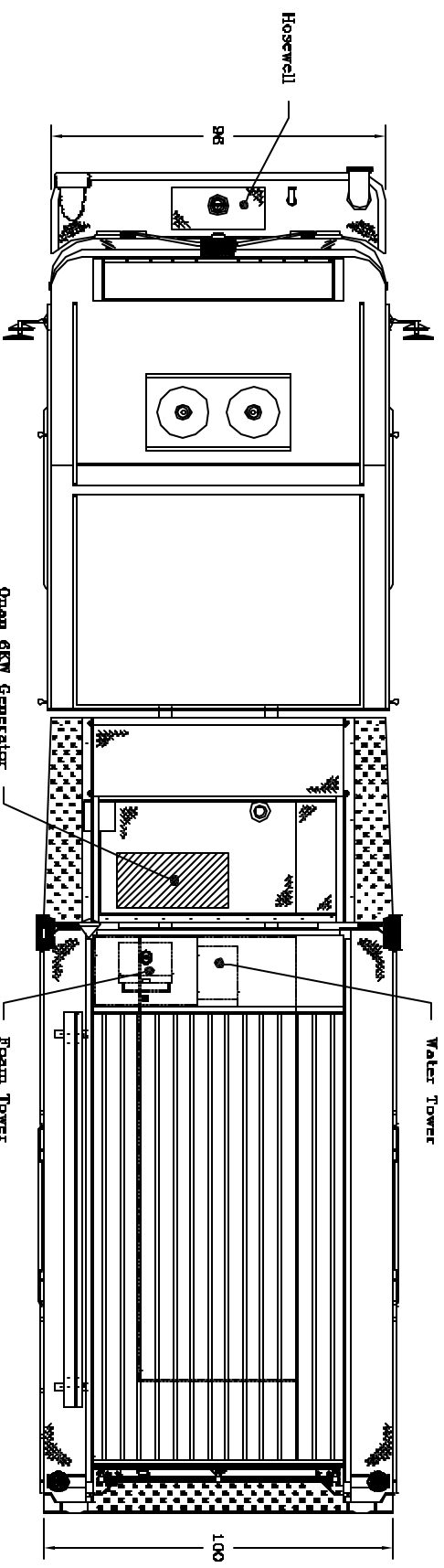


THIS DRAWING IS REPRESENTATIVE OF THE APPARATUS PROPOSED. IF THERE IS A DISCREPANCY BETWEEN THIS PRINT AND THE WRITTEN PROPOSAL, THE SPECIFICATIONS WITHIN THE PROPOSAL PREVAIL.



LET	BY	DATE	REVISION
A	RAM	12 JAN '07	ORIGINAL RELEASE



1950 BYRON CENTER AVE.
WYOMING, WY. 82001

THIS PRINT IS PROVIDED ON A RESTRICTED BASIS AND IS NOT TO BE USED IN ANY WAY DETRIMENTAL TO THE INTERESTS OF HME, INC.

NAME: MOULTONBOROUGH FIRE RESCUE DEPT
DRAWN BY: R. MacIsaac
DATE: 12 JAN '07
APPROVED BY: N/A
DRAWING FILE: MOULTONBOROUGH FIRE

SCALE: 1/8" = 1'-0"

1 OF 1 SHEETS

CREATED WITH AUTOCAD