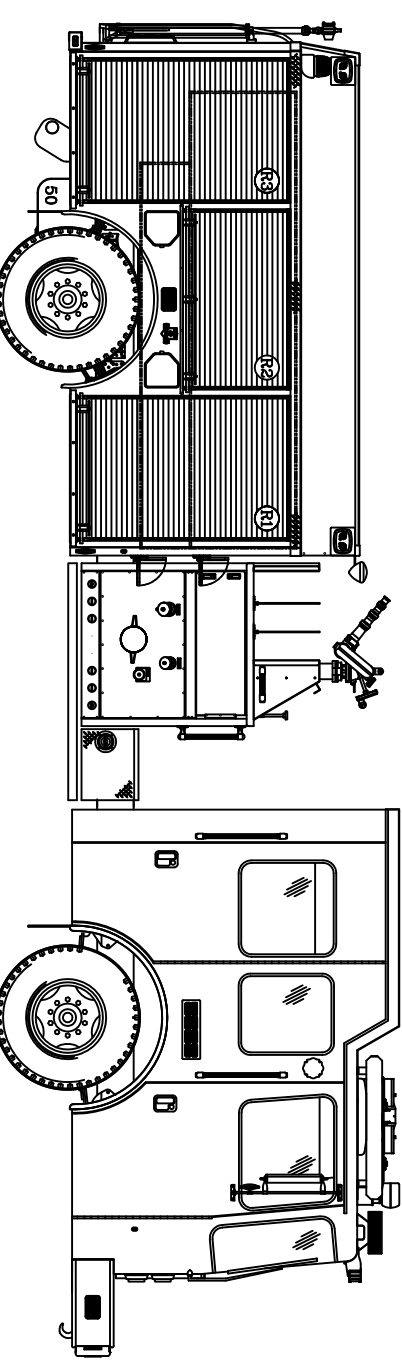
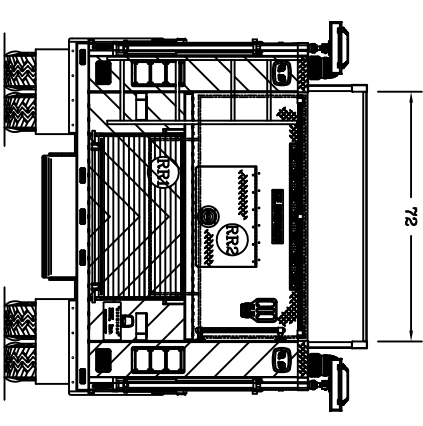
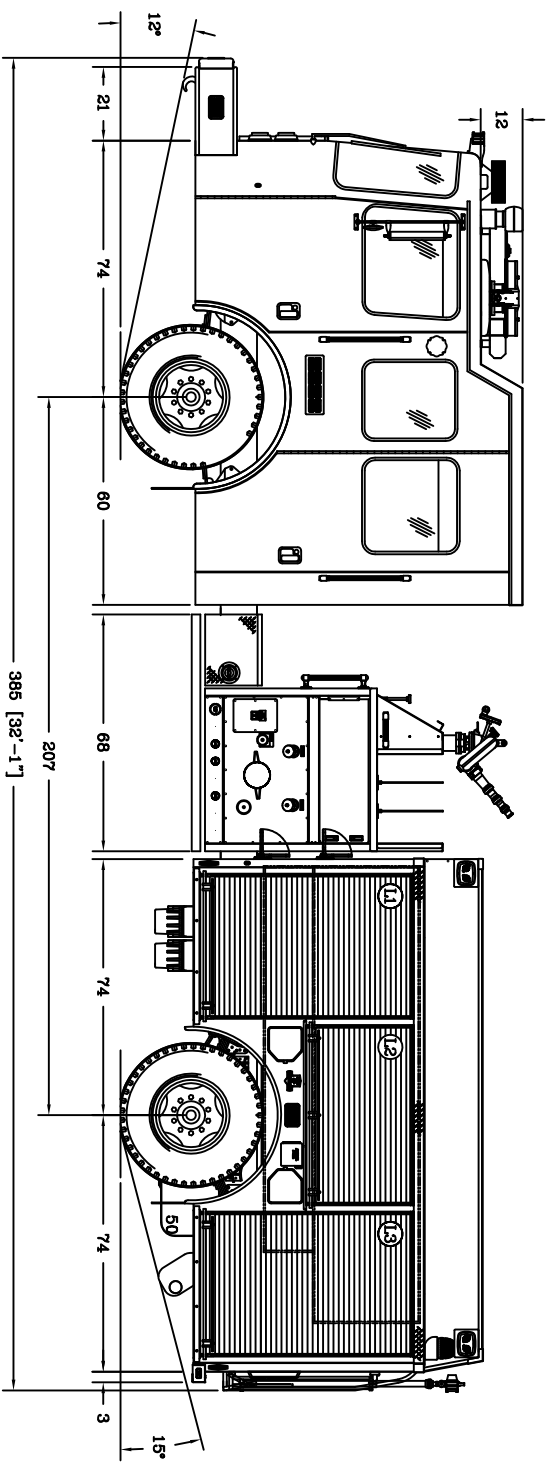
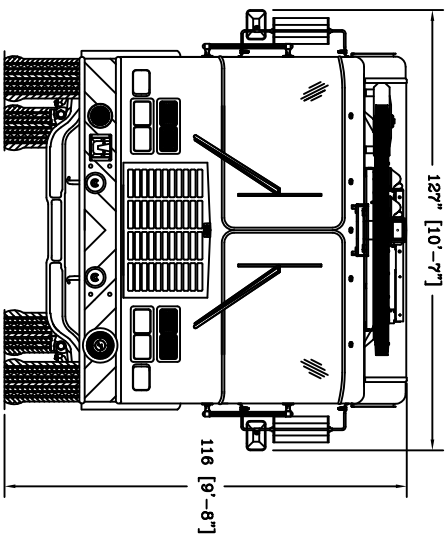
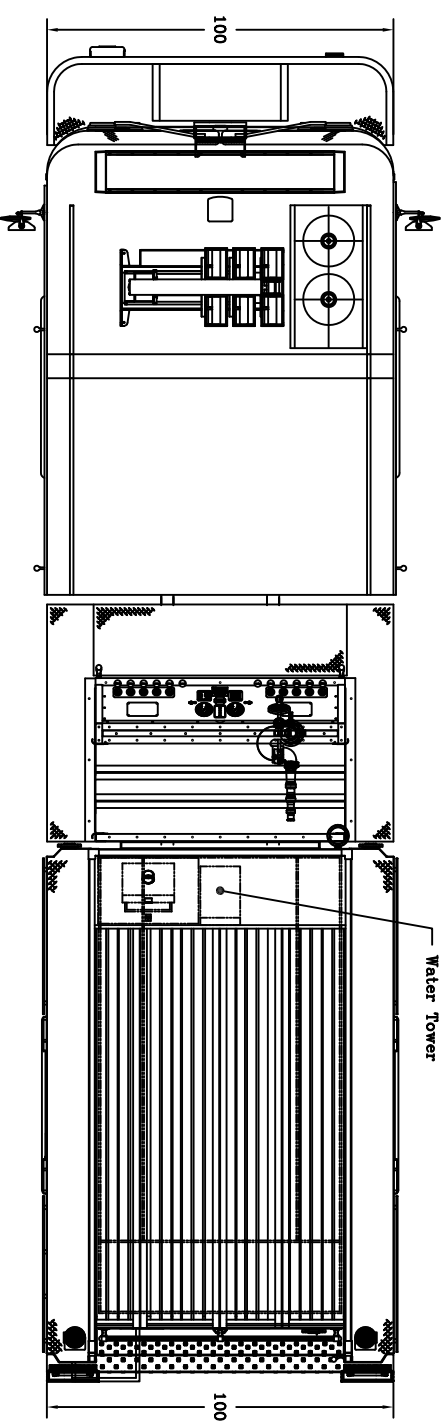


8 7 6 5 4 3 2 1

THIS DRAWING IS AN OVERALL REPRESENTATION OF THE APPARATUS AS PROPOSED.  
 THE EXACT LOCATIONS OF ACCESSORIES OR COMPONENTS MAY BE REVISED PENDING COMPLETE ENGINEERING REVIEW OF THE OPTION CONTENT OF THE ORDER.  
 IF THERE IS A DISCREPANCY BETWEEN THE BODYBUILDER PRINT AND THE WRITTEN PROPOSAL, THE SPECIFICATIONS WITHIN THE PROPOSAL PREVAIL.



| LET | BY   | DATE       | REVISION         |
|-----|------|------------|------------------|
| A   | G.G. | 18 JAN '10 | ORIGINAL RELEASE |



1950 BYRON CENTER AVE.  
 WYOMING, WY. 83099

THIS PRINT IS PROVIDED ON A RESTRICTED BASIS AND IS NOT TO BE USED IN ANY WAY DETRIMENTAL TO THE INTERESTS OF HME, INC.

NAME  
 OSSISPEE CORNER, NH FIRE DEPT

DRAWN  
 G.SUNDERSON

DATE  
 14 JAN '10

APPROVED  
 N/A

DRAWING FILE  
 OSSISPEE CORNER, NH.DWG

THIS SCALE PRODUCTION  
 SIZE  
 NUMBER  
 B OSSISPEE CORNER, NH

SCALE  
 NTS  
 SHEET  
 1 OF 1

CREATED WITH AUTOCAD®

A B C D E

8 7 6 5 4 3 2 1