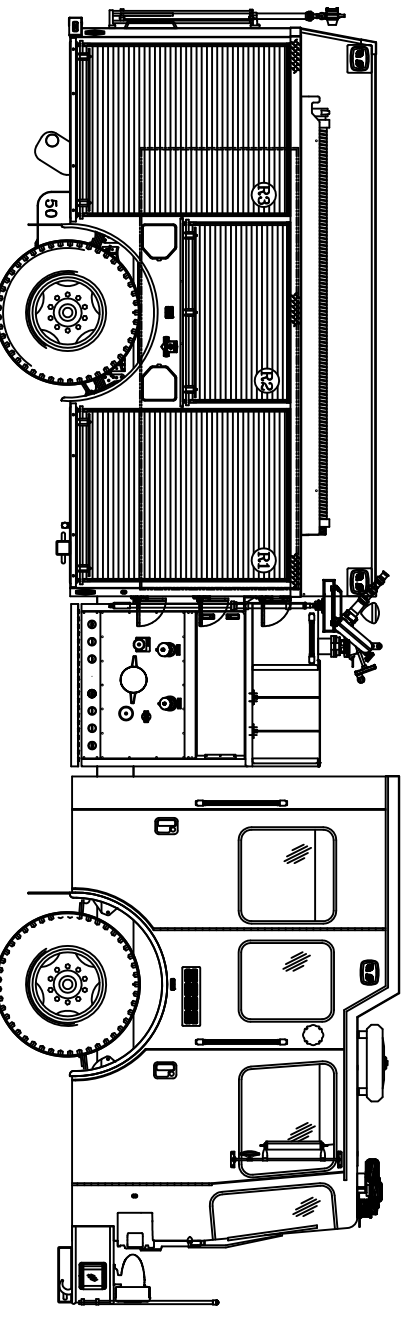
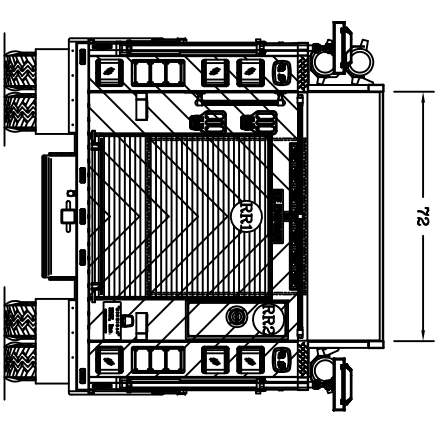
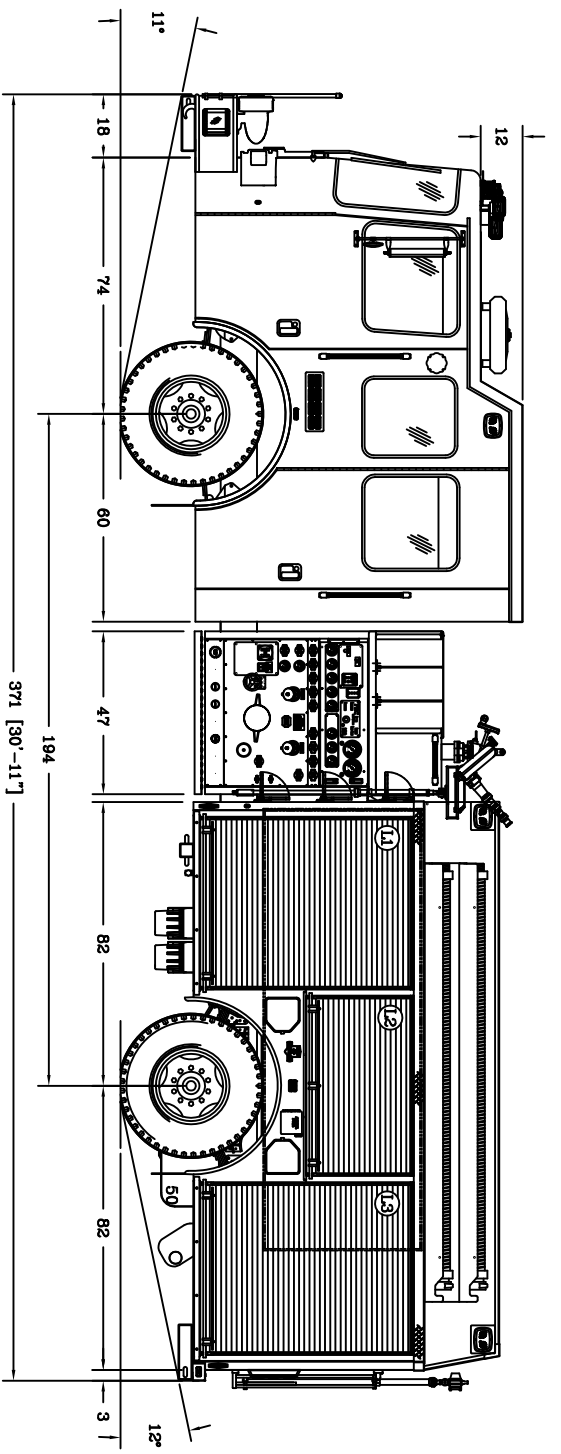
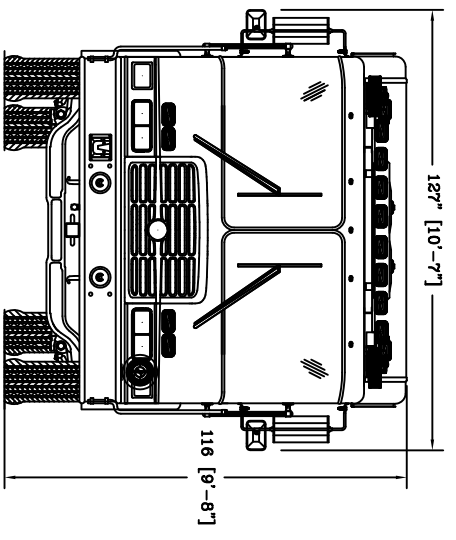
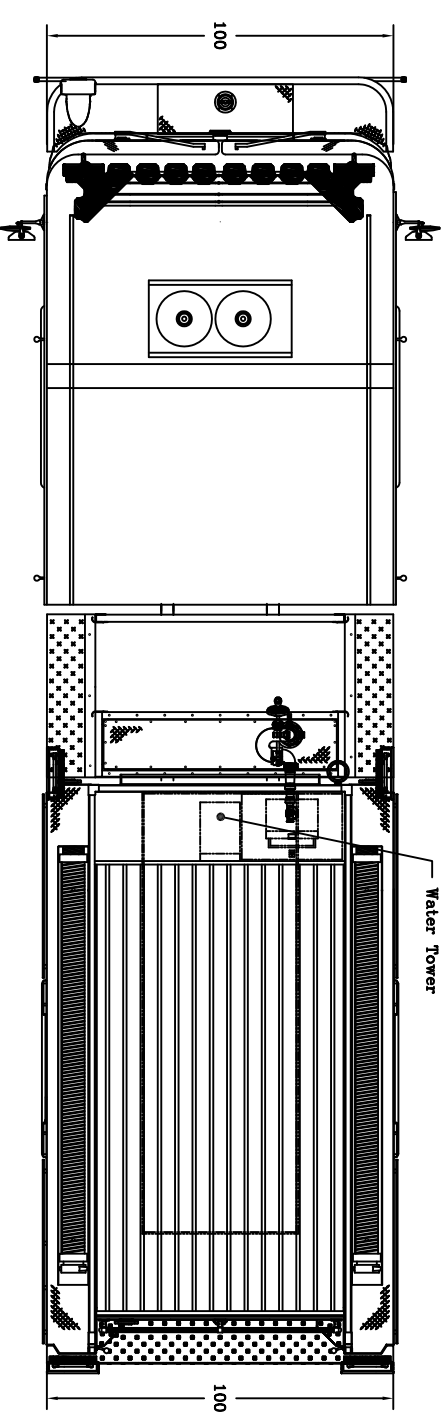


THIS DRAWING IS AN OVERALL REPRESENTATION OF THE APPARATUS AS PROPOSED.
 THE EXACT LOCATIONS OF ACCESSORIES OR COMPONENTS MAY BE REVISED PENDING COMPLETE ENGINEERING REVIEW OF THE OPTION CONTENT OF THE ORDER.
 IF THERE IS A DISCREPANCY BETWEEN THE BODYBUILDER PRINT AND THE WRITTEN PROPOSAL, THE SPECIFICATIONS WITHIN THE PROPOSAL PREVAIL.



B	G.G.	05 OCT '10	REVISED LIGHTING OPTIONS
A	G.G.	12 AUG '10	ORIGINAL RELEASE
LET	BY	DATE	REVISION

HME
 INCORPORATED

1950 BYRON CENTER AVE.
 WYOMING, MI. 49509

THIS PRINT IS PROVIDED ON A RESTRICTED BASIS AND IS NOT TO BE USED IN ANY WAY DETRIMENTAL TO THE INTERESTS OF HME, INC.

NAME
 PELHAM, MA FIRE DEPT

DRAWN	DATE	APPROVED	DRAWING FILE
G.SUNDERSON	10 AUG '10	N/A	PELHAM, MA FIRE DEPT.DWG.
THIS ACADE PRODUCTION	SIZE	NUMBER	SCALE
	B	1	MKS
	PELHAM, MA		SHEET
			1 OF 1

CREATED WITH AUTOCAD®